

1 2 3 4 5 6 7 8 9 10 11 12 13 14

A

B

C

D

E

F

G

H

I

J

A

B

C

D

E

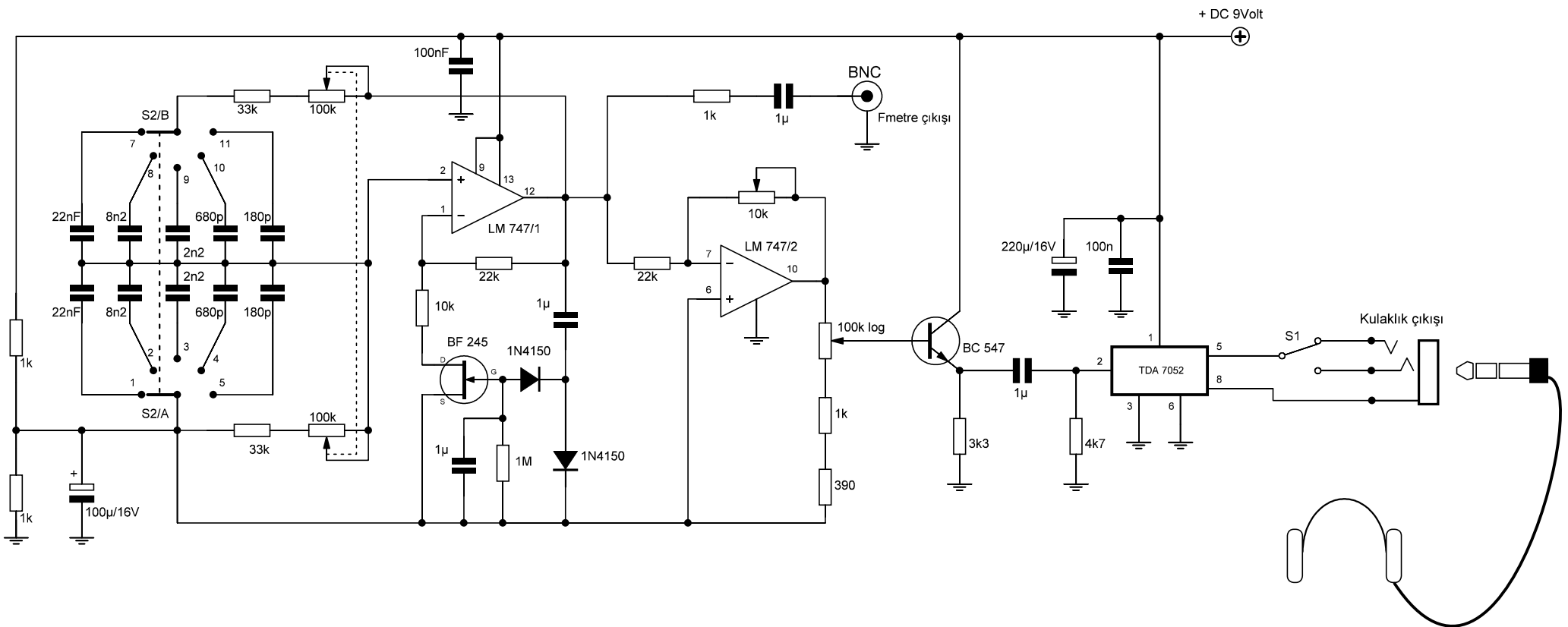
F

G

H

I

J



Modifications

Date

Name

Description

**İŞİTME TESTİ CİHAZI
DEVRE ŞEMASI**

Page

Date

Name

Schematic no.

of

1 2 3 4 5 6 7 8 9 10 11 12 13 14