

1 2 3 4 5 6 7 8 9 10 11 12 13 14

A

B

C

D

E

F

G

H

I

J

A

B

C

D

E

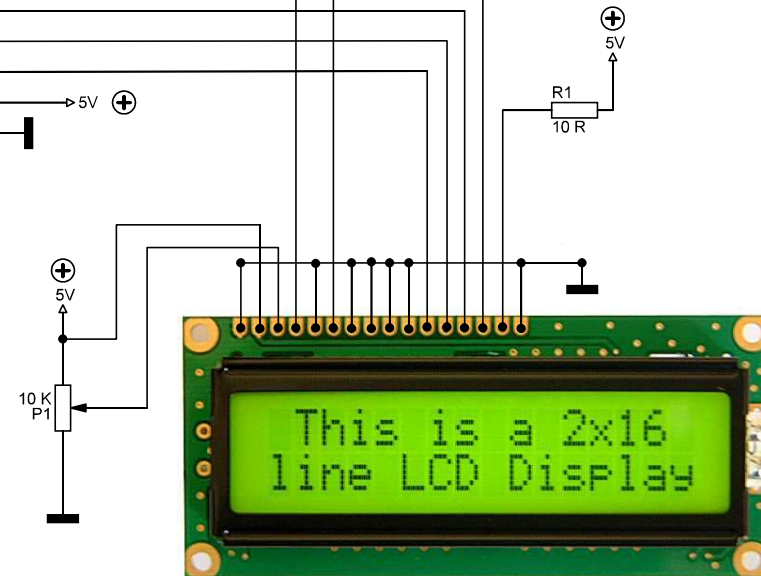
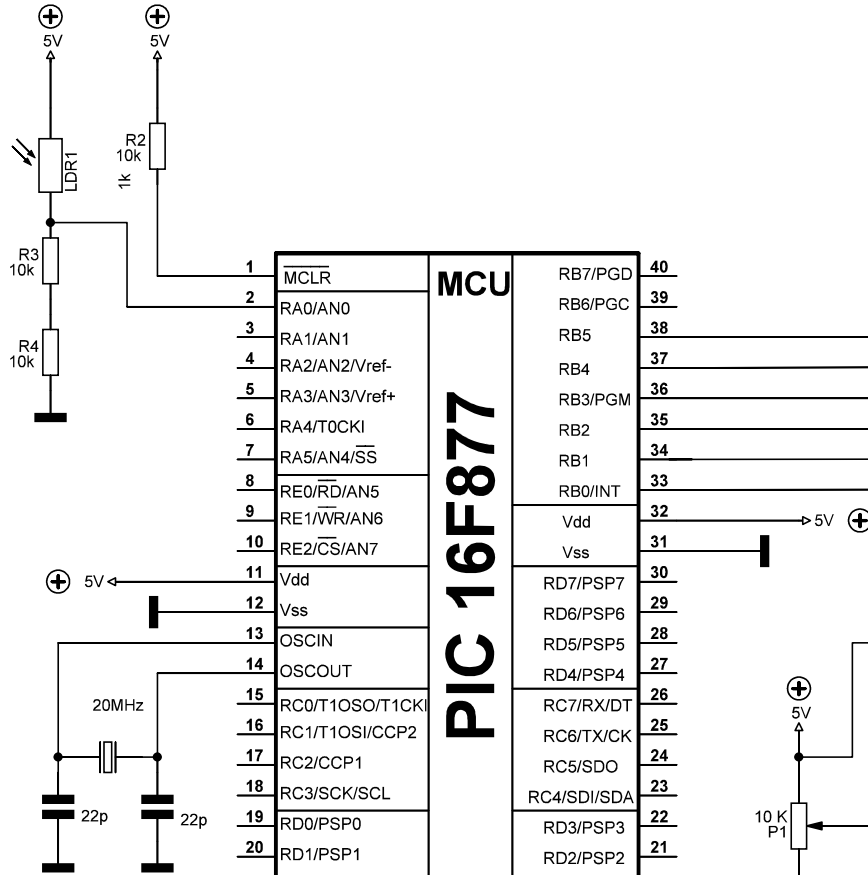
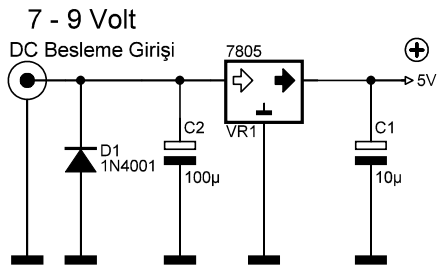
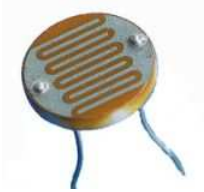
F

G

H

I

J



Modifications		Date	Name	Description	TA2CBA BARBAROS AŞUROĞLU	Page
Date	Name			LDR		
				Schematic no.		of

1 2 3 4 5 6 7 8 9 10 11 12 13 14