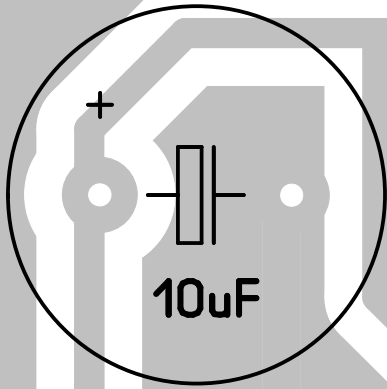
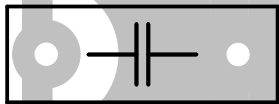


1200V/B0021
NDEV/B0021

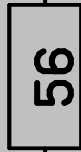


DATA in

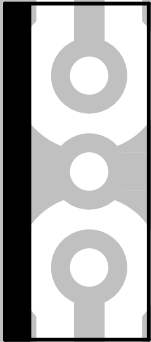
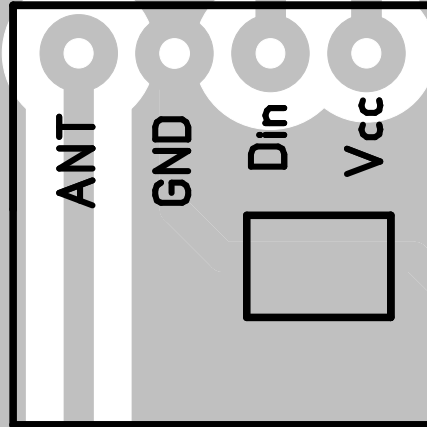
Jump 1



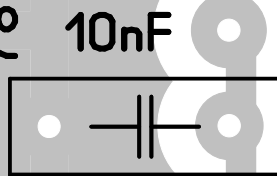
100nF



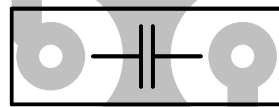
56



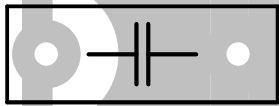
IN GND OUT 7812



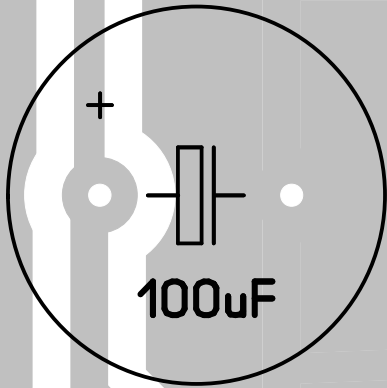
10nF



47pF



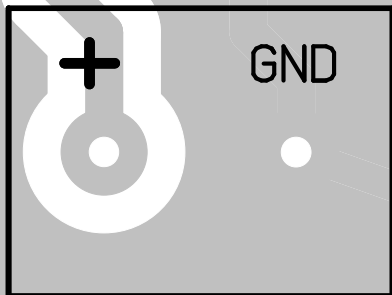
100nF



62nH

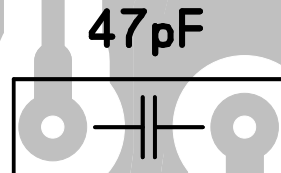


RF2320



+

GND



47pF

9:9