

4

3

2

1

D

D

C

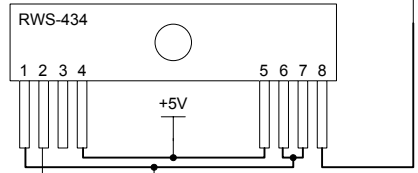
C

B

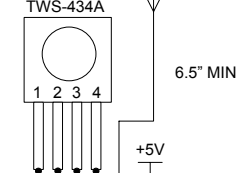
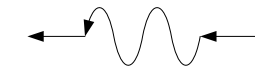
B

A

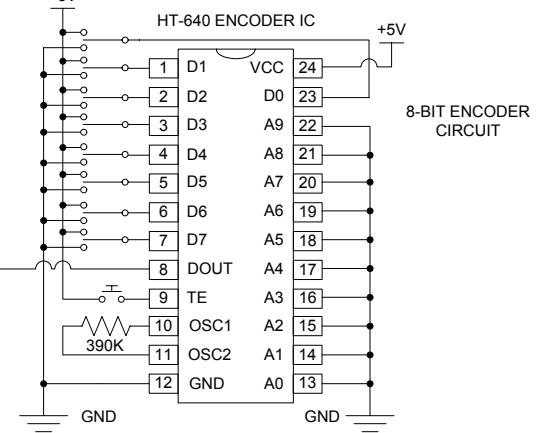
A



ENCODED DATA TO RECEIVER

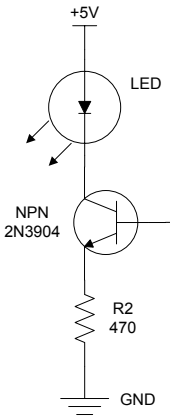


DATA IN FROM ENCODER IC

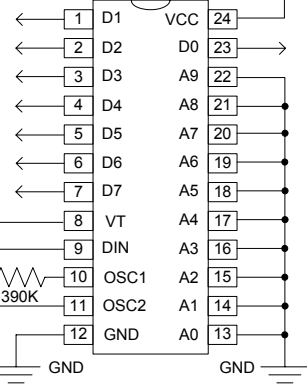


8-BIT ENCODER CIRCUIT

SAMPLE VALID TRANSMIT CIRCUIT



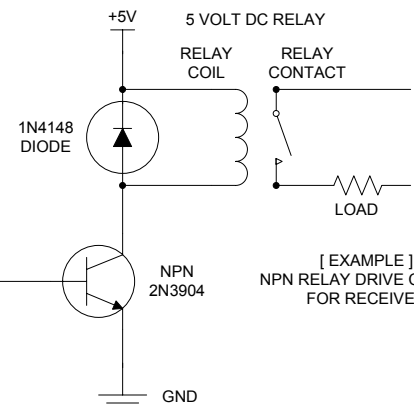
HT-648L DECODER IC



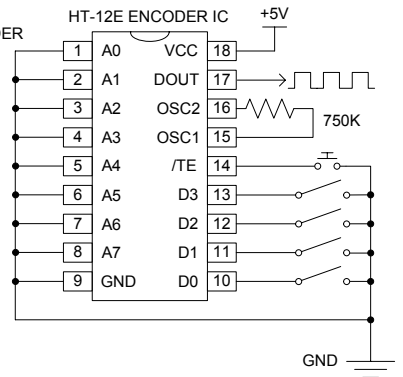
8-BIT DECODER CIRCUIT

NOTE: For whip antenna - center conductor of coax cable connects to antenna pin of module. Braided shield connects to circuit ground

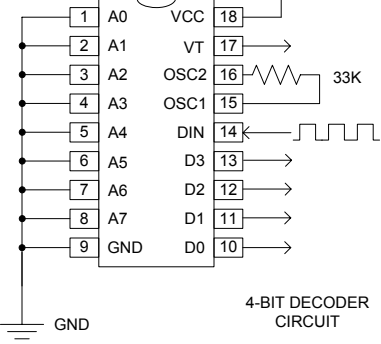
DUPLICATE DRIVE CIRCUIT FOR EACH CONTROL OUTPUT AS REQUIRED



4-BIT ENCODER CIRCUIT

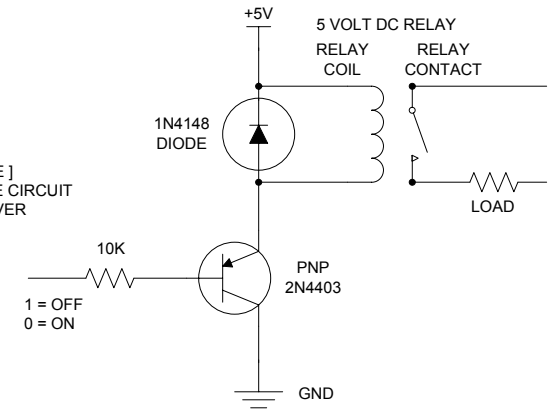


HT-12D DECODER IC



4-BIT DECODER CIRCUIT

[EXAMPLE] PNP RELAY DRIVE CIRCUIT FOR RECEIVER



4-BIT & 8-BIT RF REMOTE CONTROL TX / RX / DRIVE CIRCUITS

DRAWN	REYNOLDS ELECTRONICS	SIZE	FSCM NO	DWG NO	REV
ISSUED		SCALE	1 : 1	SHEET	2 OF 5