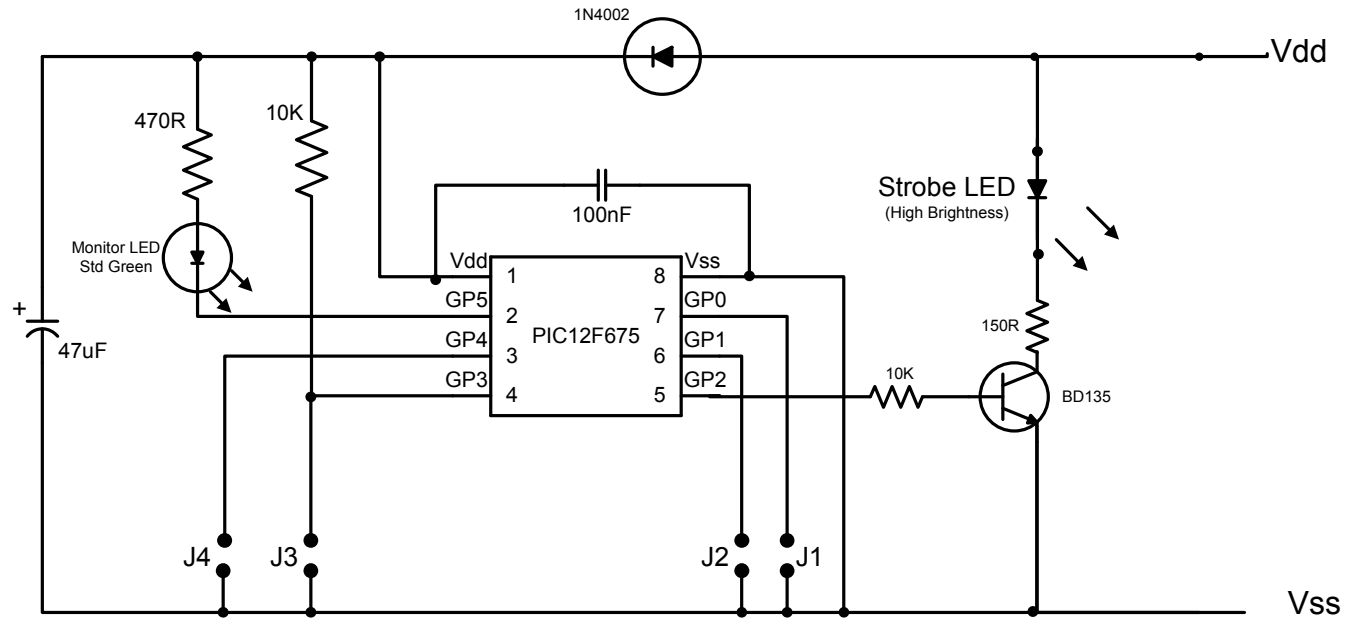


# LED Strobe



J3	J2	J1	Repeat rate
0	0	0	1S
1	0	1	2S
	1	0	3S
	1	1	4S

J4	LED pulse width
0	30mS
1	100mS

